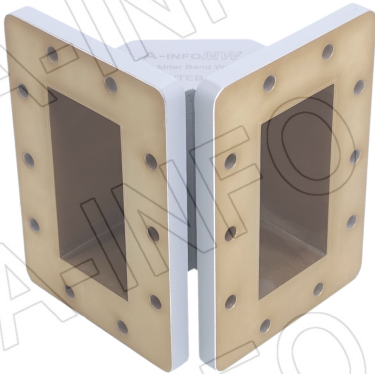


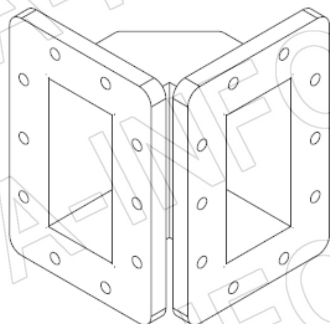
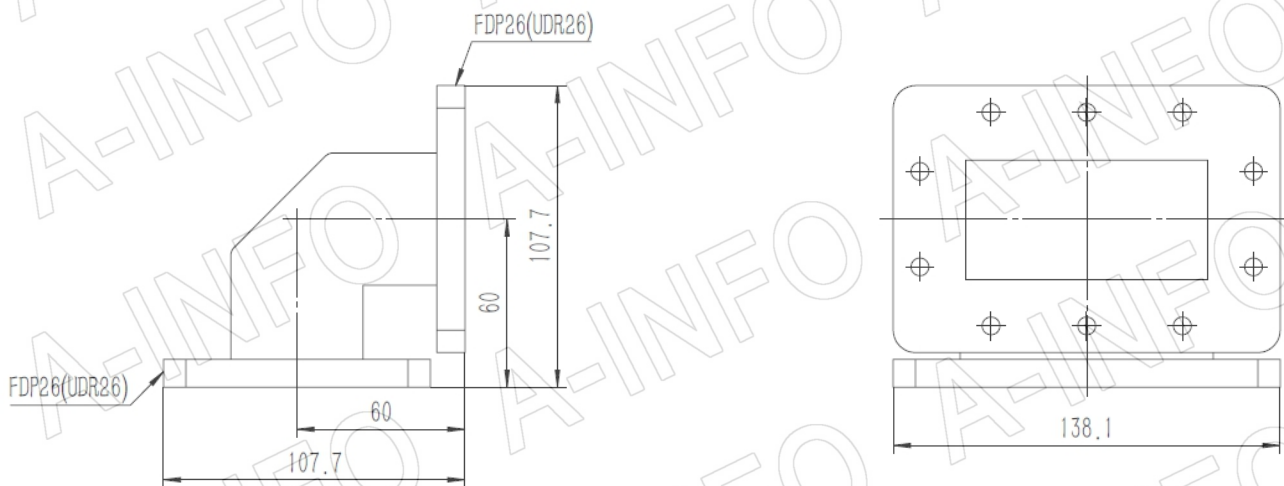
For reference only. See data sheet for the detailed specifications.

Technical Specification

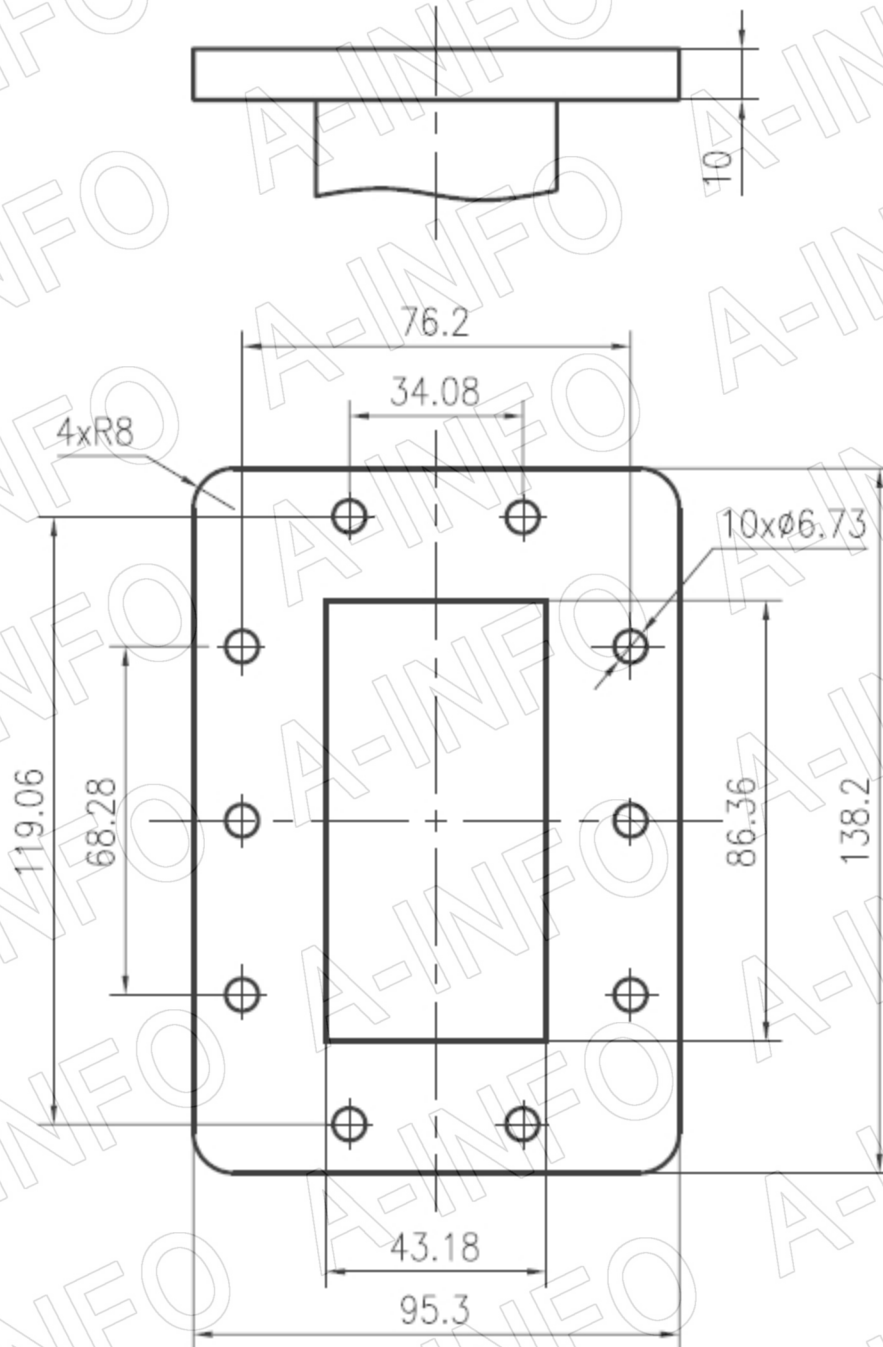


EIA WR	WR340
Frequency Range (GHz)	2.2 - 3.3
Insertion Loss(dB)	0.1 Max.
VSWR	1.20:1 Max.
Flange	FDP26(UDR26)
Material	Al
Finish	Chemical Conversion Coating, Gray Paint
Size(mm)	107.7 x 107.7 x 138.1
Net Weight(Kg)	0.64 Around

Outline Drawing (Size: mm)



Flange Drawing (Size: mm)



FDP26

AINFO Inc.

China(Beijing): Tel: (+86) 10-6266-7326,
China(Chengdu): Tel: (+86) 28-8519-2786,
USA: Tel: (+1) 949-639-9688,

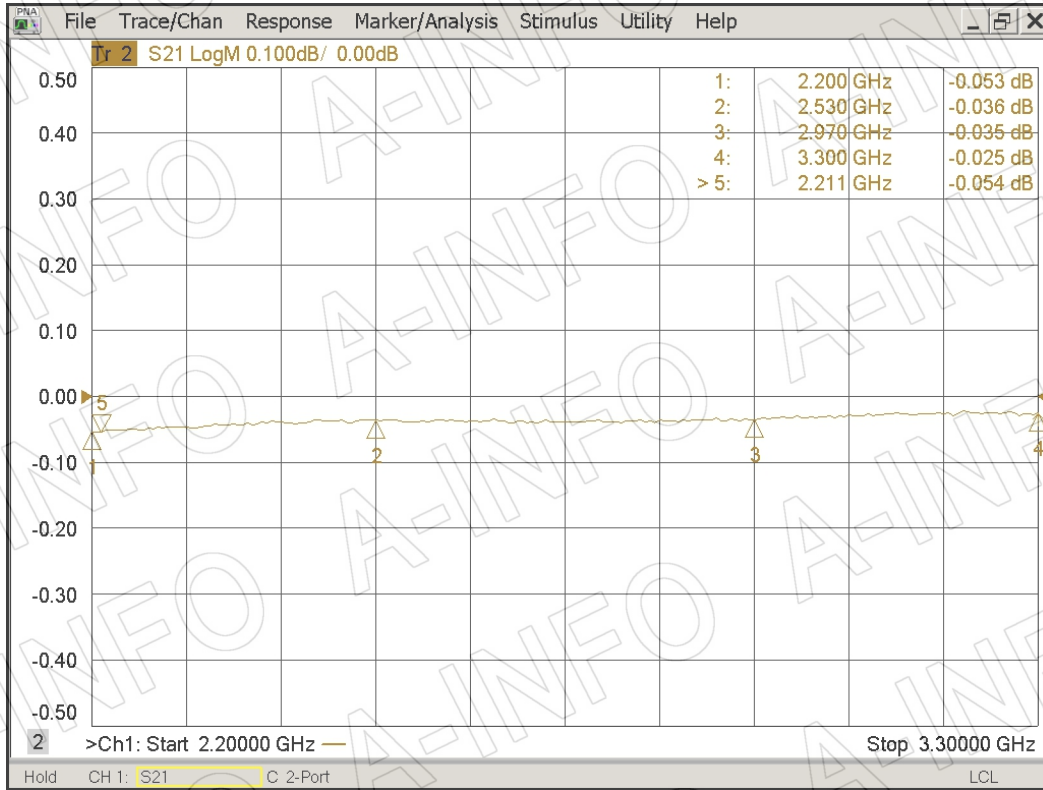
Page 2 of 3

(+86) 10-6266-7327 Fax: (+86) 10-6266-7379
(+86) 28-8519-3044 Fax: (+86) 28-8519-3068
(+1) 949-639-9608 Fax: (+1) 949-639-9670

Website: www.ainfoinc.com
Email: sales@ainfoinc.com

Test Results

Insertion Loss



VSWR

